

**CC SYSTEM**  
*Drawings with dimensions*

# 01 ACT IMPLANTS

## IMPLANT ACT Ø3.5 NP



Cover screw included anodized according to color code.

H8,5

H10

H11,5

H13



ACTIMP003

ACTIMP004

ACTIMP005

ACTIMP006

## IMPLANT ACT Ø4.3 RP



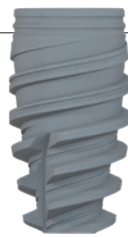
Cover screw included anodized according to color code.

H8,5

H10

H11,5

H13



ACTIMP007

ACTIMP008

ACTIMP009

ACTIMP010

## IMPLANT ACT Ø5.0 RP



Cover screw included anodized according to color code.

H8,5

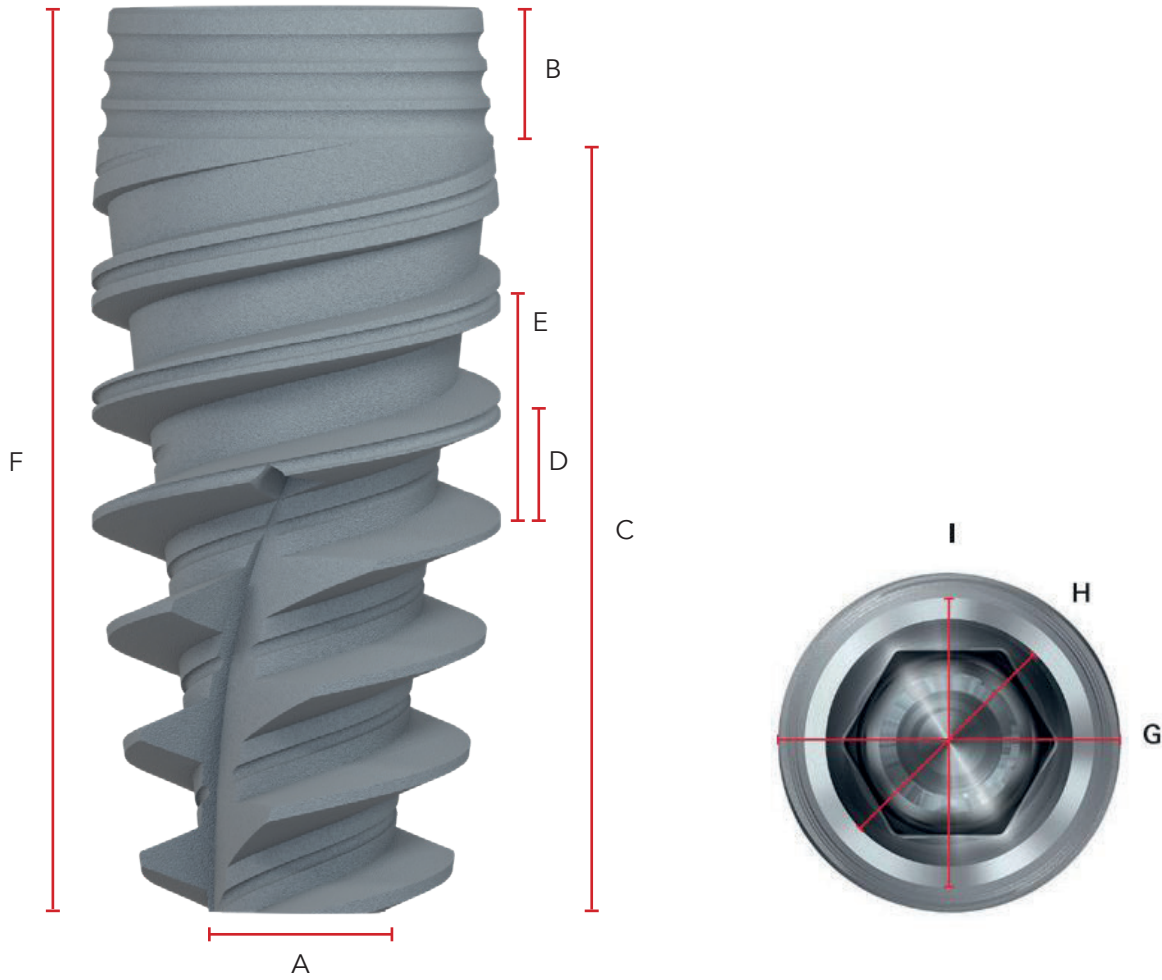
H10



ACTIMP011

ACTIMP012

# ACT



Platform	Ø X h	A Tip diameter	B Collar height	C Thread height	D Thread spacing	E Thread pitch	F Implant height	G Major diameter	H Abutment interface	I Bridge interface
NP 3.5	3.5×8.5mm	2.6	1.0	7.0	1.2	2.4	8.0	3.5	3.0	3.5
NP 3.5	3.5×10mm	2.6	1.0	8.5	1.2	2.4	9.5	3.5	3.0	3.5
NP 3.5	3.5×11.5mm	2.6	1.0	10.0	1.2	2.4	11.0	3.5	3.0	3.5
NP 3.5	3.5×13mm	2.6	1.0	11.5	1.2	2.4	12.5	3.5	3.0	3.5
RP 4.3	4.3×8.5mm	3.2	1.0	7.0	1.2	2.4	8.0	4.3	3.4	3.9
RP 4.3	4.3×10mm	3.2	1.0	8.5	1.2	2.4	9.5	4.3	3.4	3.9
RP 4.3	4.3×11.5mm	3.2	1.0	10.0	1.2	2.4	11.0	4.3	3.4	3.9
RP 4.3	4.3×13mm	3.2	1.0	11.5	1.2	2.4	12.5	4.3	3.4	3.9
RP 5.0	5.0×8.5mm	3.6	1.0	7.0	1.2	2.4	8.0	4.9	3.4	3.9
RP 5.0	5.0×10mm	3.6	1.0	8.5	1.2	2.4	9.5	4.9	3.4	3.9

# 01 PAR CC IMPLANTS

H8,5

H10

H11,5

IMPLANT PAR CC Ø3.75 NP



Cover screw included anodized according to color code.



PARIMP002

PARIMP003

PARIMP004

H8,5

H10

H11,5

IMPLANT PAR CC Ø4.3 RP



Cover screw included anodized according to color code.

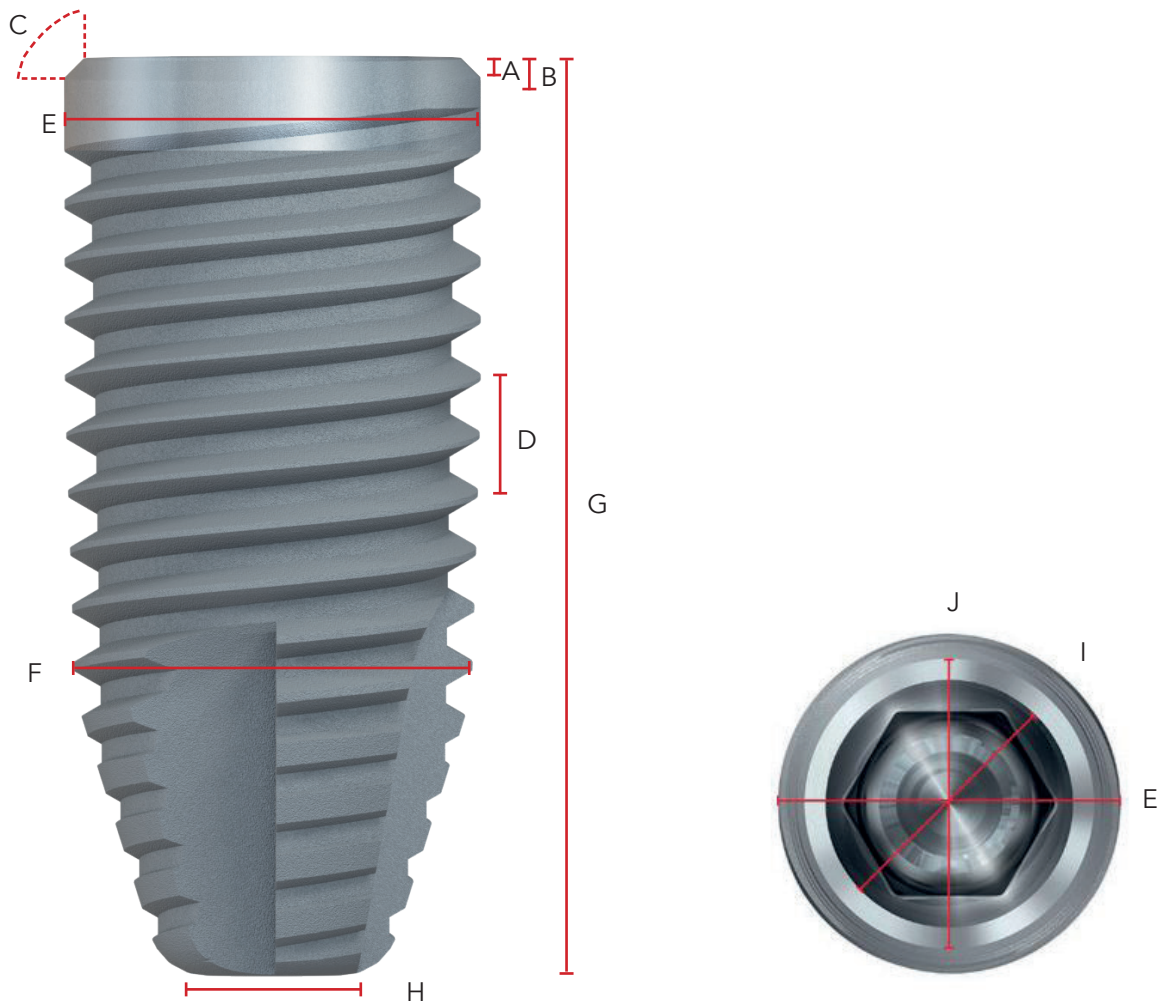


PARIMP009

PARIMP010

PARIMP011

# PAR CC



Platform	Ø X h	A Bevel height	B Rim height	C Bevel angle	D Thread pitch (duble Thread)	E Majour diameter 1	F Majour diameter 2	G Overall length	H Tip diameter	I Abutment interface	J Bridge interfa- ce
NP 3.75	3.75×8.5mm	0.1	0.5	45°	1.2	3.75	3.5	8.0	2.0	3.0	3.5
NP 3.75	3.75×10mm	0.1	0.5	45°	1.2	3.75	3.5	9.5	2.0	3.0	3.5
NP 3.75	3.75×11.5mm	0.1	0.5	45°	1.2	3.75	3.5	11.0	2.0	3.0	3.5
RP 4.3	4.3×8.5mm	0.2	0.5	45°	1.2	4.3	4.1	8.0	2.4	3.4	3.9
RP 4.3	4.3×10mm	0.2	0.5	45°	1.2	4.3	4.1	9.5	2.4	3.4	3.9
RP 4.3	4.3×11.5mm	0.2	0.5	45°	1.2	4.3	4.1	11.0	2.4	3.4	3.9



# 01 REP CC IMPLANTS

## IMPLANT REP CC Ø3.5 NP



Cover screw included anodized according to color code.

H8



RCCIMP009

H10



RCCIMP001

H11,5



RCCIMP010

H13



RCCIMP002

## IMPLANT REP CC Ø4.3 RP



Cover screw included anodized according to color code.

H8



RCCIMP012

H10



RCCIMP003

H11,5



RCCIMP008

H13



RCCIMP004

H16



RCCIMP013

## IMPLANT REP CC Ø5.0 RP



Cover screw included anodized according to color code.

H8



RCCIMP005

H10



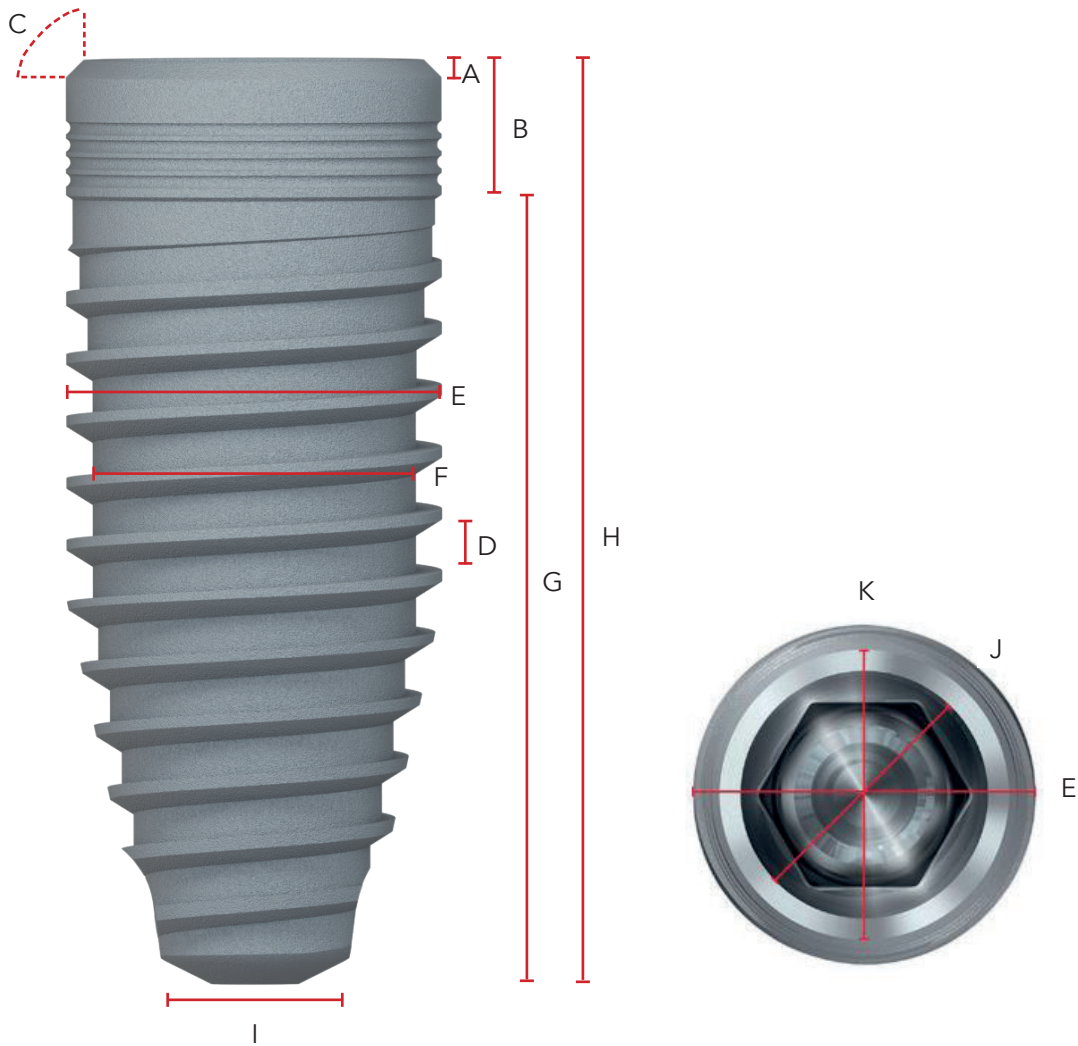
RCCIMP006

H13



RCCIMP007

# REP CC



		A	B	C	D	E	F	G	H	I	J	K
Platform	Ø X h	Bevel height	Collar height	Bevel angle	Thread pitch	Majour diameter 1	Minor diameter 2	Thread height	Overall height	Tip diameter	Abutment interface	Bridge interface
NP 3.5	3.5×8mm	-	1.5	-	0.6	3.5	3.0	7.0	8.6	2.1	3.0	3.5
NP 3.5	3.5×10mm	-	1.5	-	0.6	3.5	3.0	9.0	10.6	2.1	3.0	3.5
NP 3.5	3.5×11.5mm	-	1.5	-	0.6	3.5	3.0	10.5	12.1	2.1	3.0	3.5
NP 3.5	3.5×13mm	-	1.5	-	0.6	3.5	3.0	12.1	13.6	2.1	3.0	3.5
RP 4.3	4.3×8mm	0.2	1.5	45°	0.7	4.3	3.7	7.0	8.6	2.6	3.4	3.9
RP 4.3	4.3×10mm	0.2	1.5	45°	0.7	4.3	3.7	9.0	10.6	2.6	3.4	3.9
RP 4.3	4.3×11.5mm	0.2	1.5	45°	0.7	4.3	3.7	10.5	12.1	2.6	3.4	3.9
RP 4.3	4.3×13mm	0.2	1.5	45°	0.7	4.3	3.7	12.1	13.6	2.6	3.4	3.9
RP 4.3	4.3×16mm	0.2	1.5	45°	0.7	4.3	3.7	15.1	16.6	2.6	3.4	3.9
RP 5.0	5.0×8mm	0.6	1.5	45°	0.8	5.0	4.2	7.0	8.6	3.0	3.4	3.9
RP 5.0	5.0×10mm	0.6	1.5	45°	0.8	5.0	4.2	9.0	10.6	3.0	3.4	3.9
RP 5.0	5.0×13mm	0.6	1.5	45°	0.8	5.0	4.2	12.1	13.6	3.0	3.4	3.9

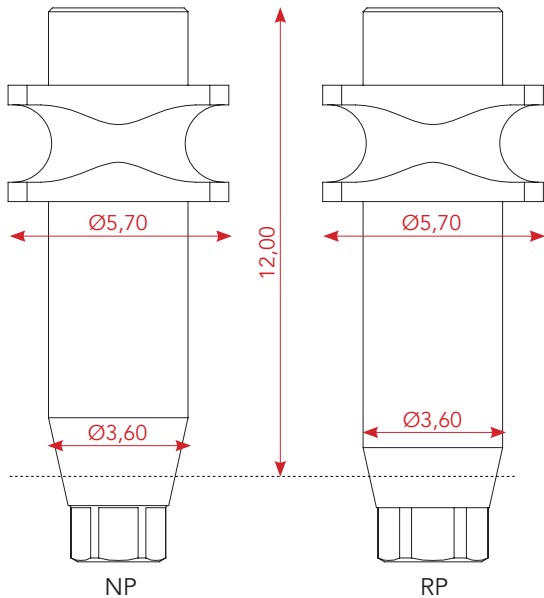
# IMPRESSION TAKING





## 02 LAB COMPONENTS

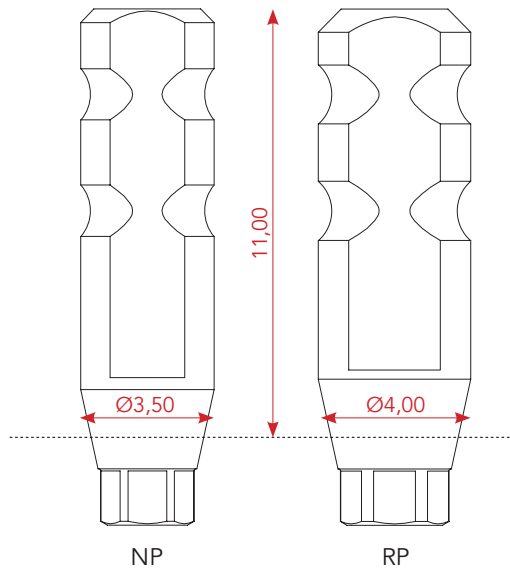
### ACT IMPRESSION COPING OPEN TRAY AE



Ø	3,5 NP	ACTPPR071
	4,3 RP	ACTPPR073
	5 RP	ACTPPR073

Anodized component according to color code  
Connecting screw included

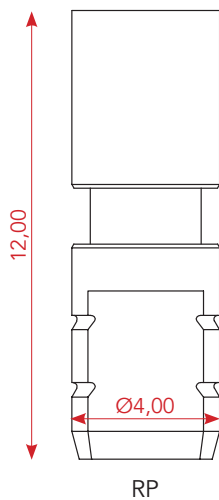
### ACT IMPRESSION COPING CLOSED TRAY AE



Ø	3,5 NP	ACTPPR072
	4,3 RP	ACTPPR074
	5 RP	ACTPPR074

Connecting screw included

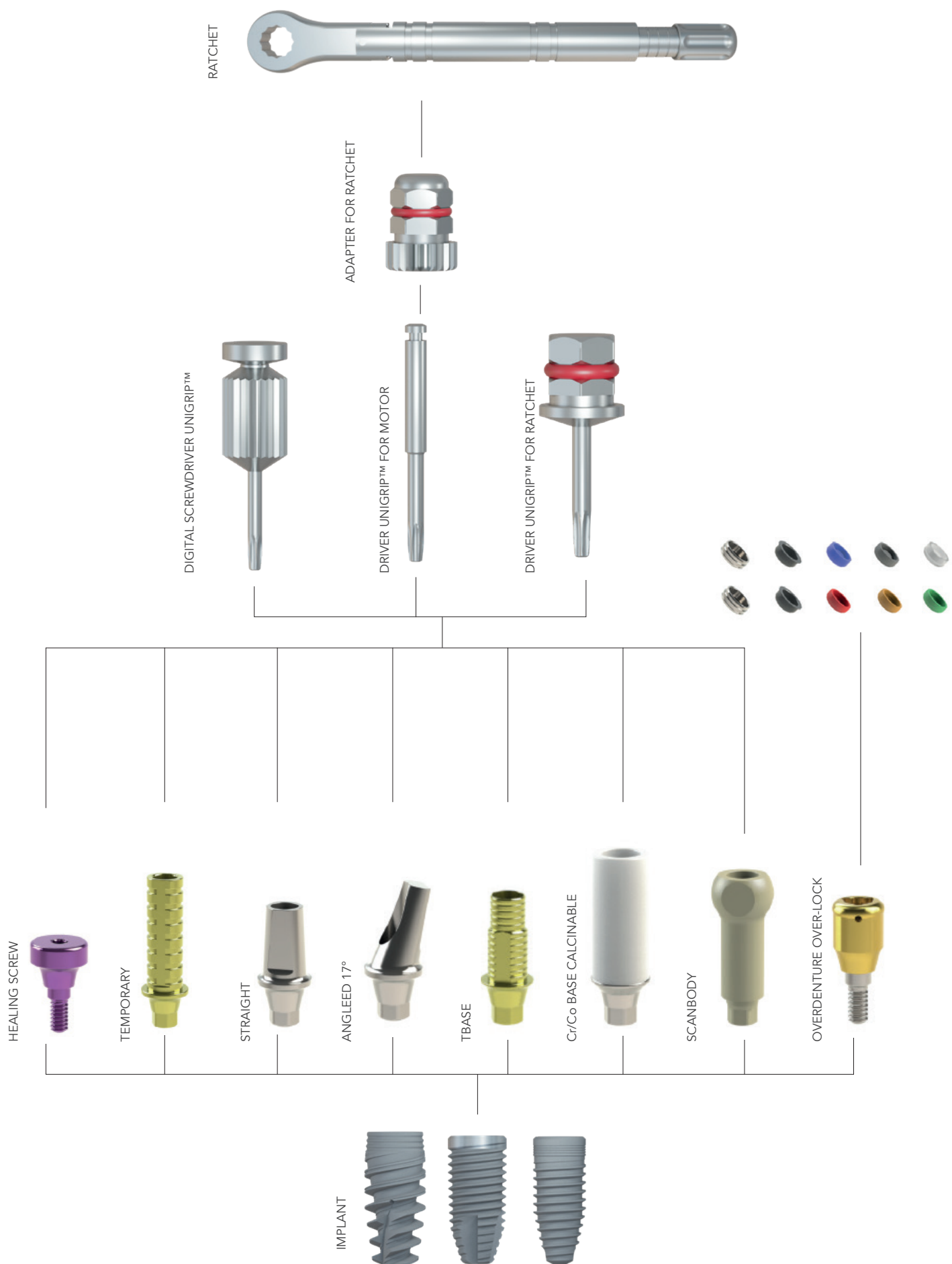
### ACT IMPLANT REPLICA AE



Ø	3,5 NP	ACTPPR069
	4,3 RP	ACTPPR070
	5 RP	ACTPPR070

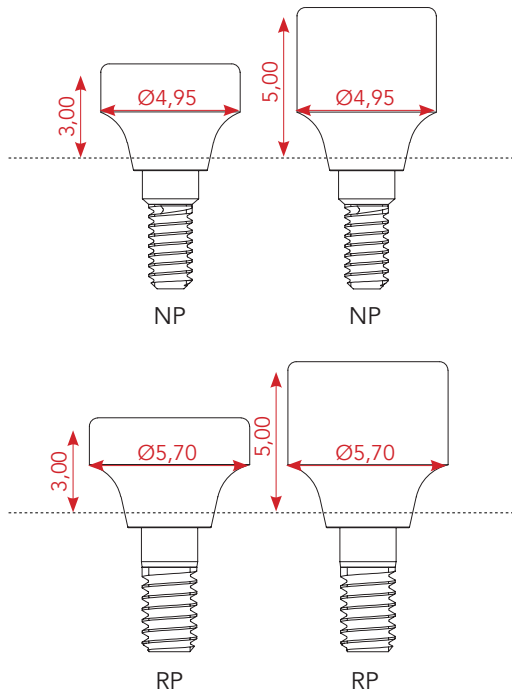
Anodized component according to color code

# PROSTHETIC WORKFLOW



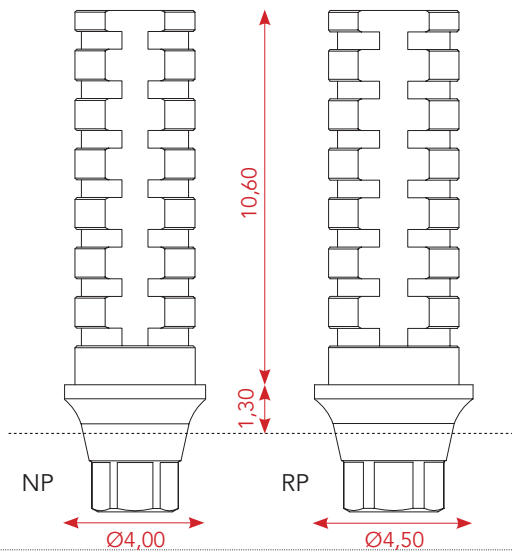
# 03 PROSTHETIC PARTS

## ACT CYLINDRICAL HEALING SCREW AE



H		
	3	5
Ø 3,5 NP	ACTVIT025	ACTVIT026
Ø 4,3 RP	ACTVIT027	ACTVIT028
Ø 5 RP	ACTVIT027	ACTVIT028

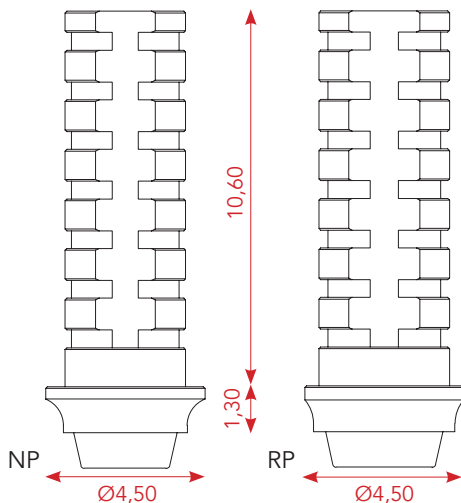
Anodized component according to color code



## ACT TEMPORARY NON ROTATING ABUTMENT AE

Ø 3,5 NP	ACTPPR118
Ø 4,3 RP	ACTPPR120
Ø 5 RP	ACTPPR120

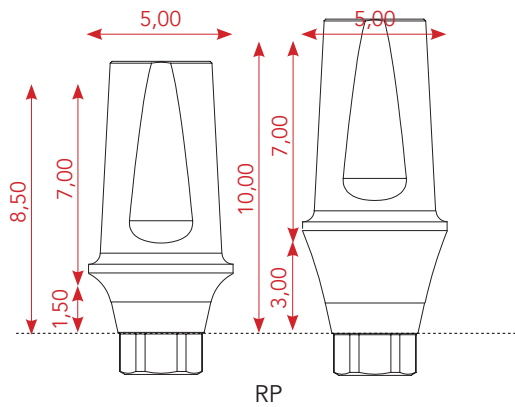
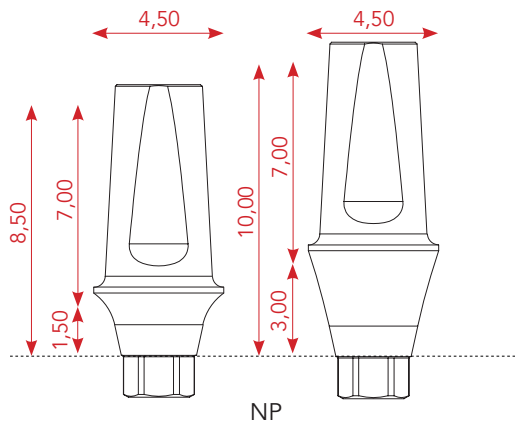
Anodized component according to color code  
Connecting screw included



## ACT TEMPORARY ROTATING ABUTMENT AE

Ø 3,5 NP	ACTPPR117
Ø 4,3 RP	ACTPPR119
Ø 5 RP	ACTPPR119

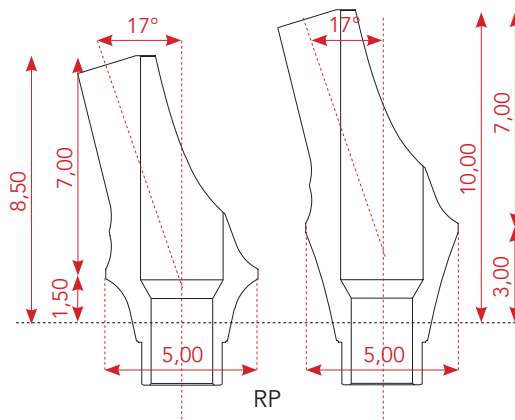
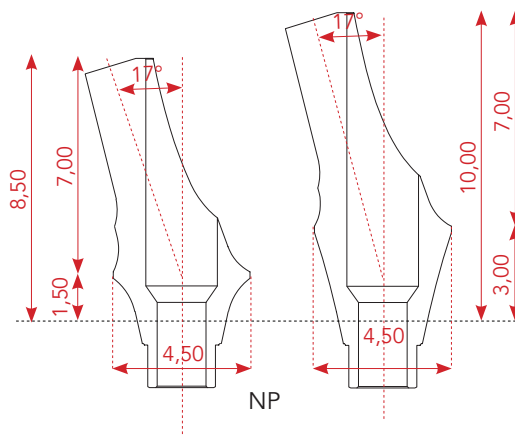
Anodized component according to color code  
Connecting screw included



### ACT STRAIGHT ABUTMENT AE

		H	
		1,5	3
Ø	3,5 NP	ACTPPR085	ACTPPR086
	4,3 RP	ACTPPR089	ACTPPR090
	5 RP	ACTPPR089	ACTPPR090

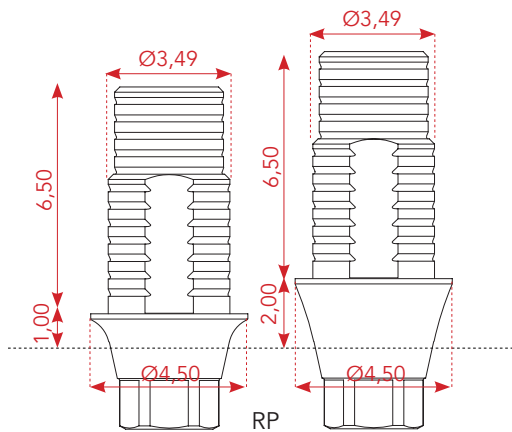
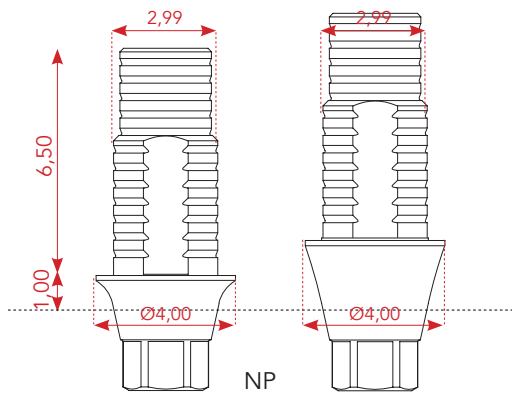
Connecting screw included



### ACT 17° ANGLED ABUTMENT AE

		H	
		1,5	3
Ø	3,5 NP	ACTPPR087	ACTPPR088
	4,3 RP	ACTPPR091	ACTPPR092
	5 RP	ACTPPR091	ACTPPR092

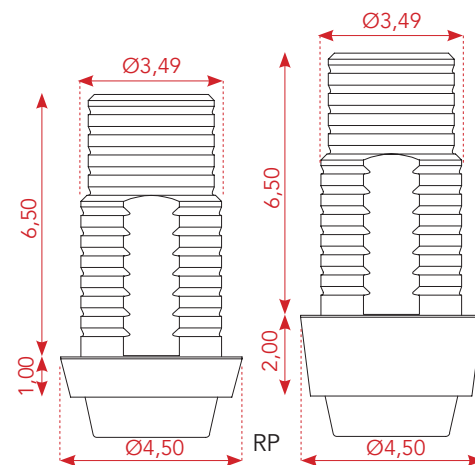
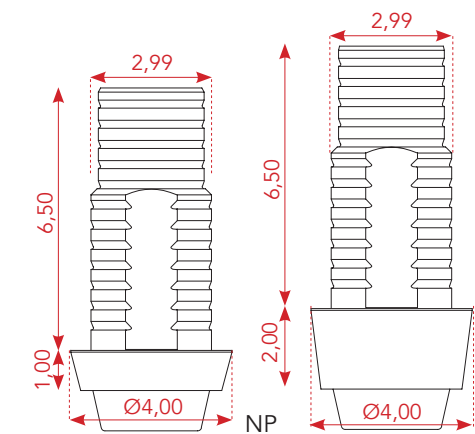
Connecting screw included



### ACT TBase NON ROTATING ABUTMENT AE

		H	
		1	2
Ø	3,5 NP	ACTPPR079	ACTPPR080
	4,3 RP	ACTPPR083	ACTPPR084
	5 RP	ACTPPR083	ACTPPR084

Connecting screw included



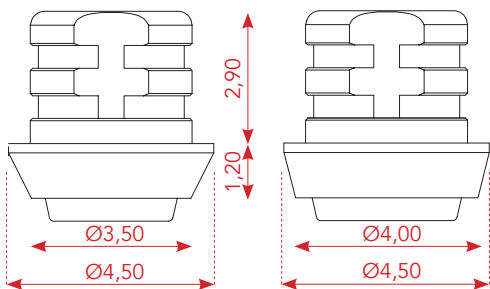
### ACT TBase ROTATING ABUTMENT AE

		H	
		1	2
Ø	3,5 NP	ACTPPR077	ACTPPR078
	4,3 RP	ACTPPR081	ACTPPR082
	5 RP	ACTPPR081	ACTPPR082

Connecting screw included



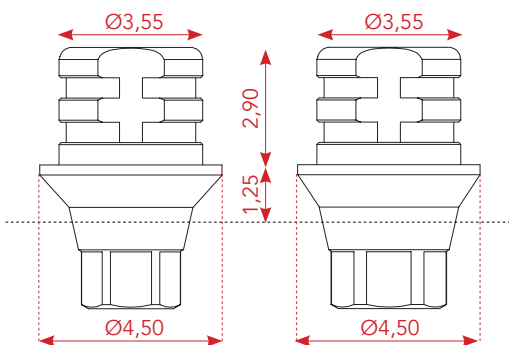
ACT Cr/Co CALCINABLE ROTATING ABUTMENT AE



Ø	3,5 NP	ACTPPR093
	4,3 RP	ACTPPR095
	5 RP	ACTPPR095

Connecting screw included

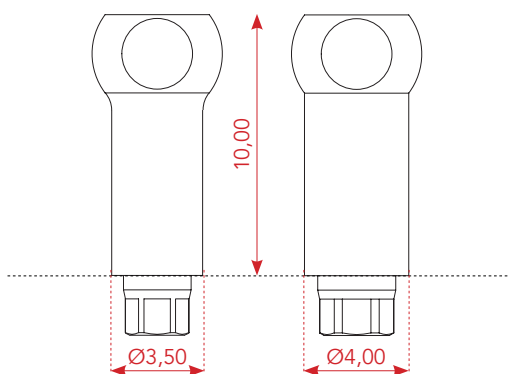
ACT Cr/Co CALCINABLE NON ROTATING ABUTMENT AE



Ø	3,5 NP	ACTPPR094
	4,3 RP	ACTPPR096
	5 RP	ACTPPR096

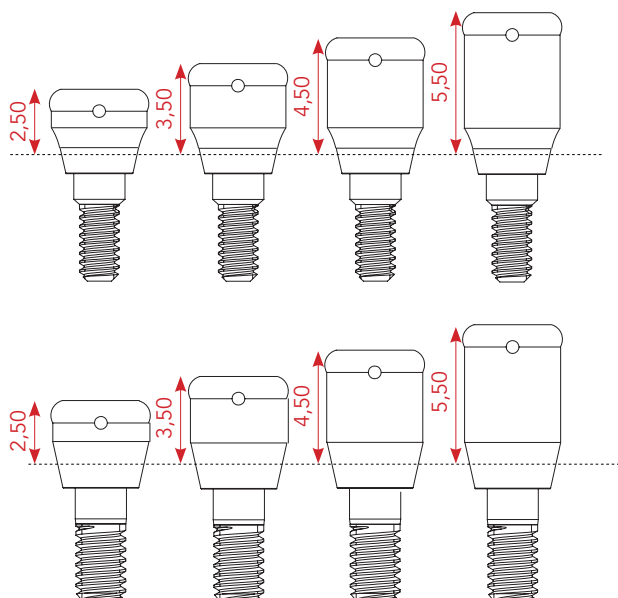
Connecting screw included

ACT SCANBODY AE



Ø	3,5 NP	ACTPPR075
	4,3 RP	ACTPPR076
	5 RP	ACTPPR076

CC CLAK ABUTMENT



Ø		H			
		1	2	3	4
Ø	3,5 NP	ACTPPR097	ACTPPR098	ACTPPR099	ACTPPR100
	4,3 RP	ACTPPR101	ACTPPR102	ACTPPR103	ACTPPR104
	5 RP	ACTPPR101	ACTPPR102	ACTPPR103	ACTPPR104

---

CLAK PROPACK AE 0°-15°

ACTPPR105



**Metal Housing**  
**Black Lab Plastic**  
**Blue Plastic Light Retention 0.68 KG**  
**Grey Plastic Medium Retention 1.36 KG**  
**Clear Plastic Strong Retention 2.26 KG**

Available either as a set or individually.  
They are used in cases where the total angulation axis among implants does not exceed 15°.

---

CLAK PROPACK AE >15°

ACTPPR106



**Metal Housing**  
**Black Lab Plastic**  
**Red Plastic Light Retention 0.68 KG**  
**Orange Plastic Medium Retention 1.36 KG**  
**Green Plastic Strong Retention 2.26 KG**

Available either as a set or individually.  
They are used in cases where the total angulation axis among implants exceeds 15°.

---

CLAK TITANIUM CAP AE (4 PCS)

ACTPPR107



---

CLAK MID CAP FOR LAB -BLACK-AE

ACTPPR108



---

CLAK MID CAP LR 0°-15° -BLUE-AE (4PCS)

ACTPPR109



---

CLAK MID CAP MR 0°-15° -GREY-AE (4PCS)

ACTPPR110



---

CLAK MID CAP HR 0°-15° -TRANSPARENT-AE (4PCS)

ACTPPR111



---

CLAK MID CAP LR >15° -RED-AE (4PCS)

ACTPPR114



---

CLAK MID CAP MR >15° -ORANGE-AE (4PCS)

ACTPPR115



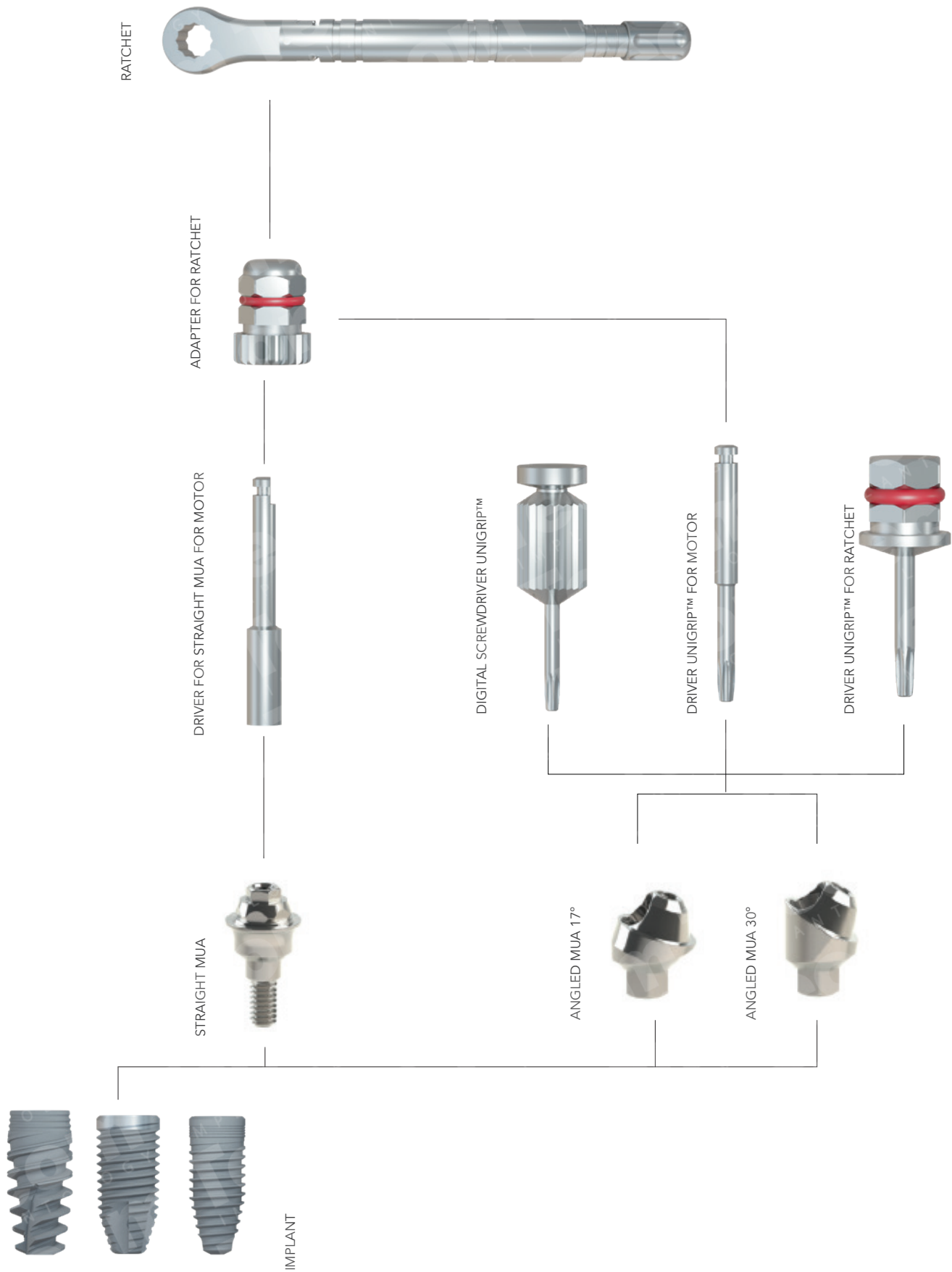
---

CLAK MID CAP HR >15° -GREEN-AE (4PCS)

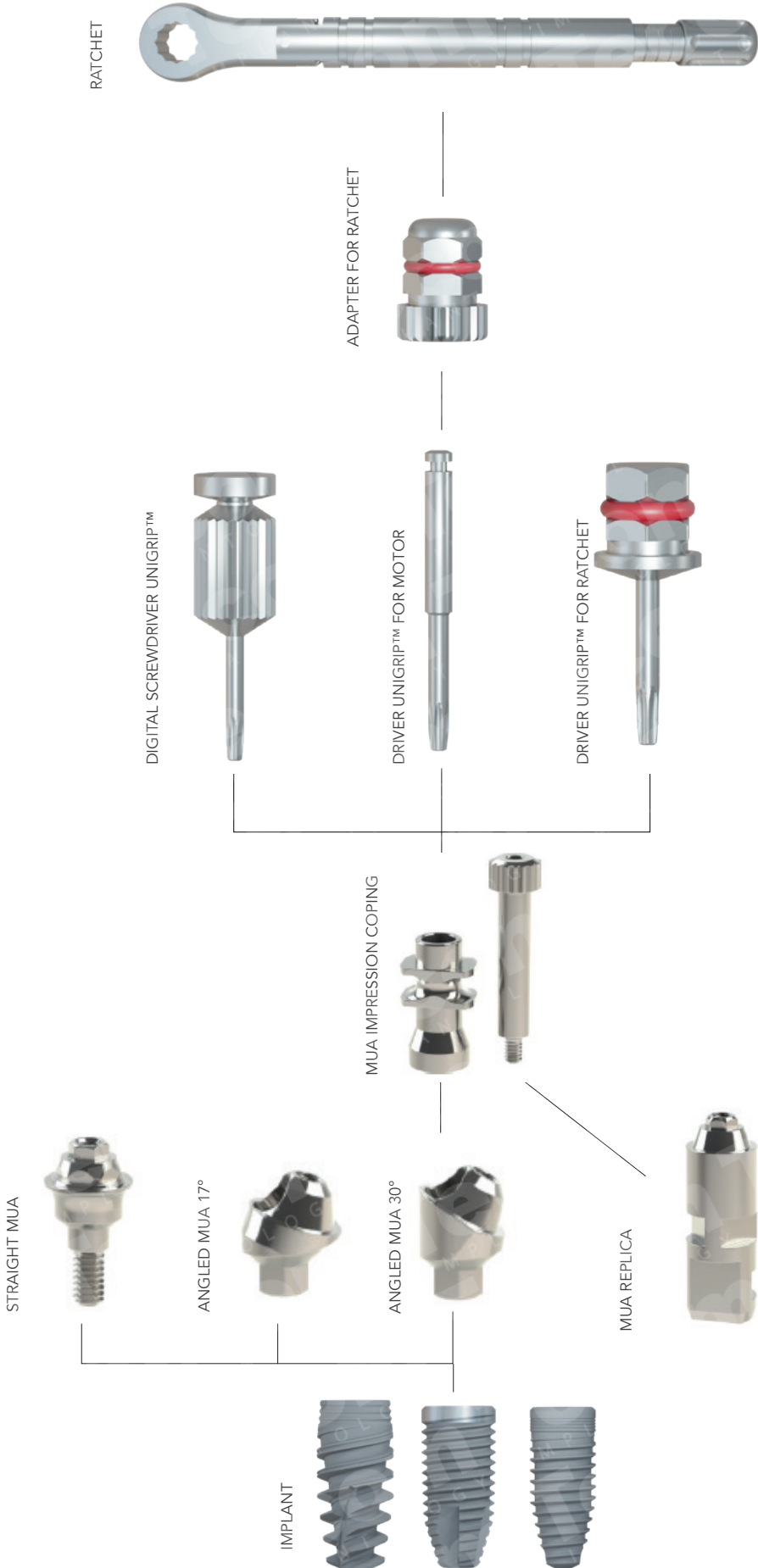
ACTPPR116



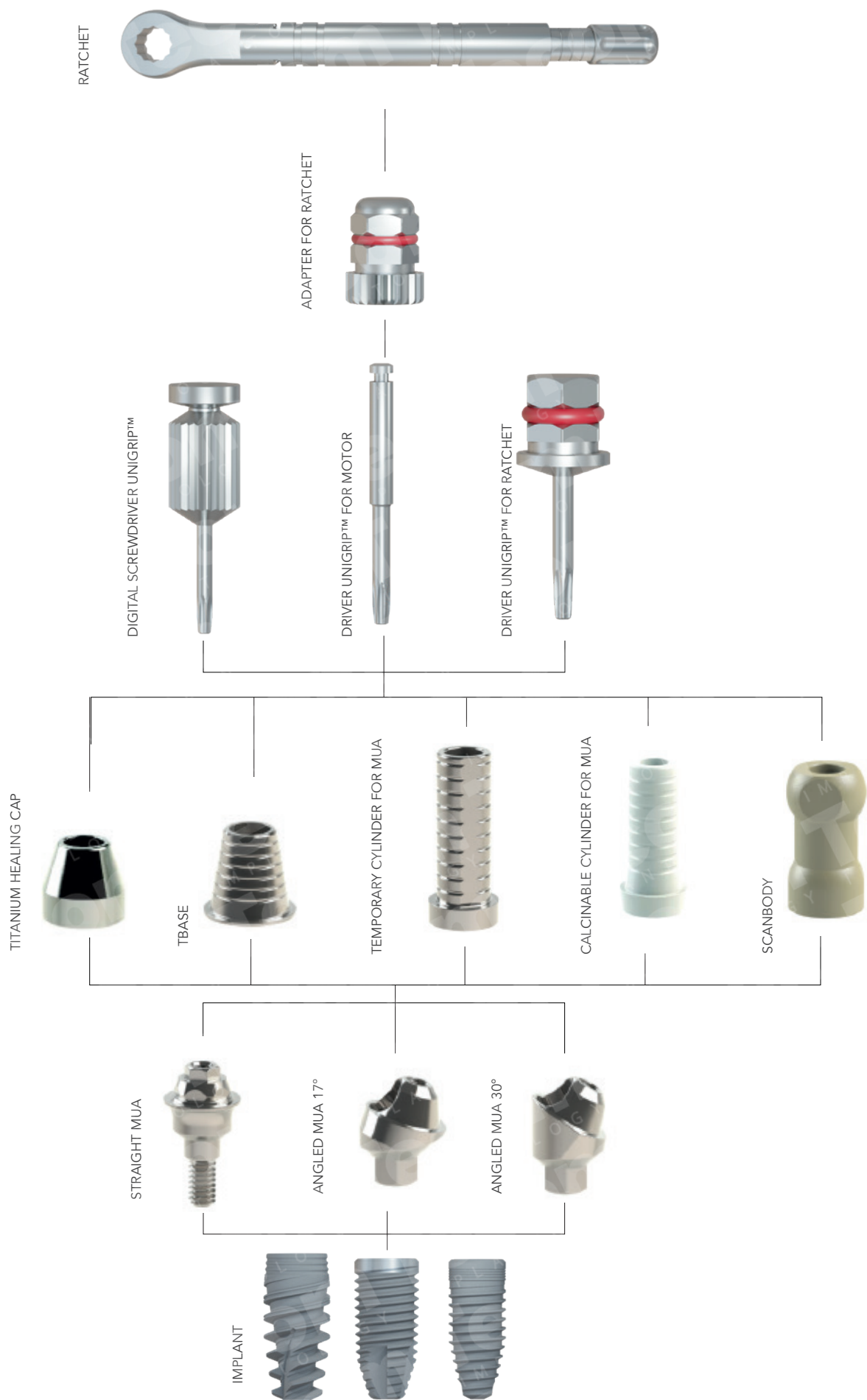
# MUA (MULTI UNIT ABUTMENT) FOR OVERDENTURE - POSITIONING



# MUA FOR OVERDENTURE - IMPRESSION TAKING



# MUA FOR OVERDENTURE - PROSTHETIC WORKFLOW

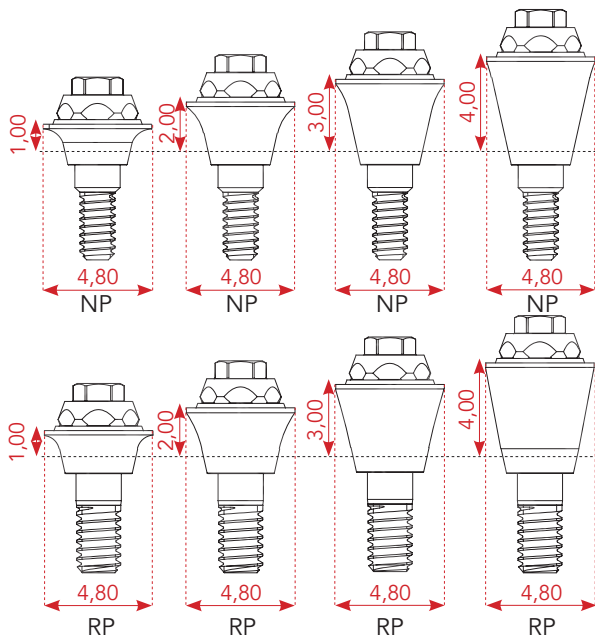




# 04 MUA

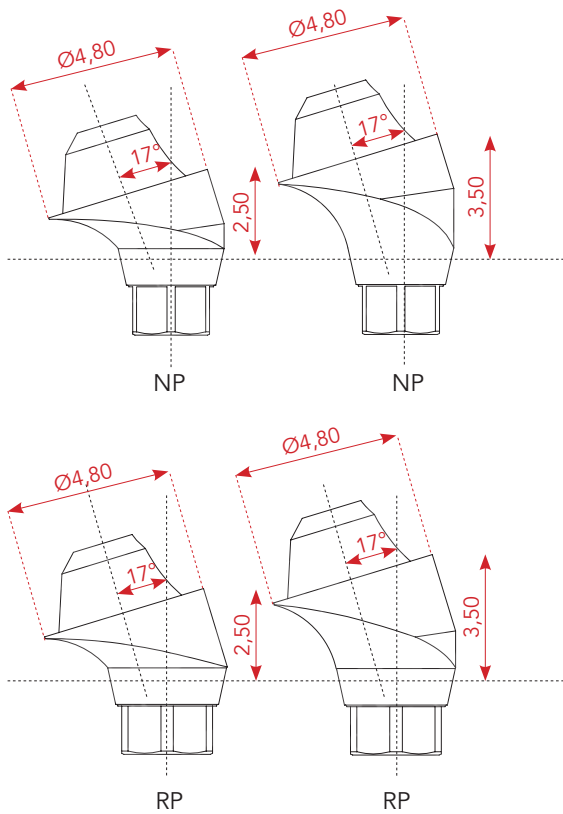
Multi-unit abutments is currently the most accepted and highly recommended solution in screw retained restorations. They have many advantages such as a common prosthetic platform for all implants.

## ACT STRAIGHT MUA AE



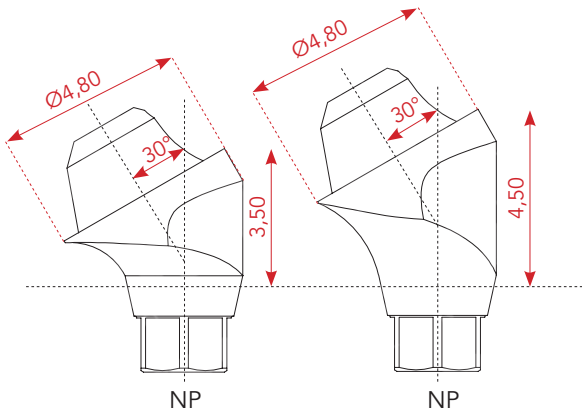
		H			
		1	2	3	4
Ø	3,5 NP	ACTPPR121	ACTPPR122	ACTPPR123	ACTPPR124
	4,3 RP	ACTPPR129	ACTPPR130	ACTPPR131	ACTPPR132
	5 RP	ACTPPR129	ACTPPR130	ACTPPR131	ACTPPR132

## ACT 17° ANGLED MUA AE



		H	
		2,5	3,5
Ø	3,5 NP	ACTPPR125	ACTPPR126
	4,3 RP	ACTPPR133	ACTPPR134
	5 RP	ACTPPR133	ACTPPR134

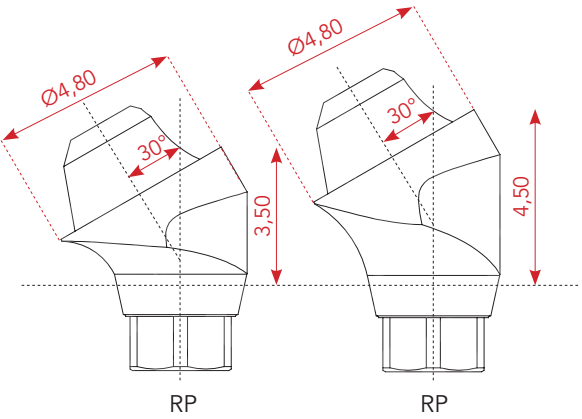
Connecting screw included  
Supplied with mouter



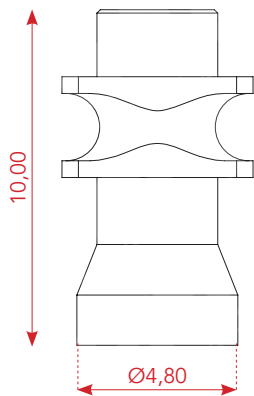
### ACT 30° ANGLED MUA AE

		H	
		3,5	4,5
Ø	3,5 NP	ACTPPR127	ACTPPR128
	4,3 RP	ACTPPR135	ACTPPR136
	5 RP	ACTPPR135	ACTPPR136

Connecting screw included  
Supplied with mounter

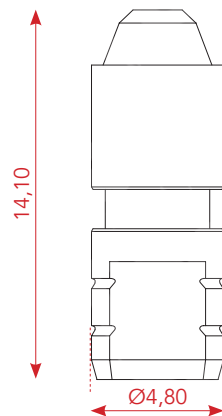


## 05 MUA LAB COMPONENTS



### ACT MUA IMPRESSION COPING AE

ACTPPR138

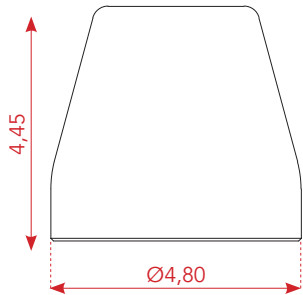


### ACT MUA REPLICA AE

ACTPPR140

## 06 MUA PROSTHETIC PARTS

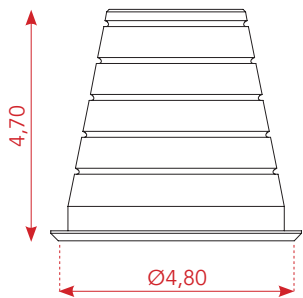
Multi-Unit has its own prosthetic components, the same for all implant systems.



ACT TITANIUM HEALING CAP FOR MUA AE

ACTPPR137

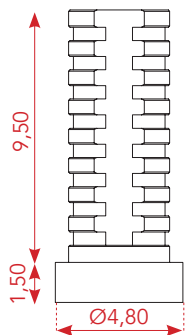
Connecting screw included



ACT MUA Tbase AE

ACTPPR142

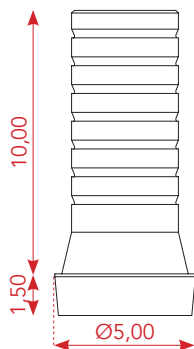
Connecting screw included



ACT MUA TEMPORARY CYLINDER AE

ACTPPR143

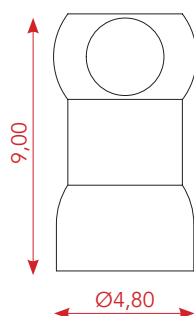
Connecting screw included



ACT MUA CALCINABLE CYLINDER AE

ACTPPR141

Connecting screw included



ACT MUA SCANBODY AE

ACTPPR139

Connecting screw included

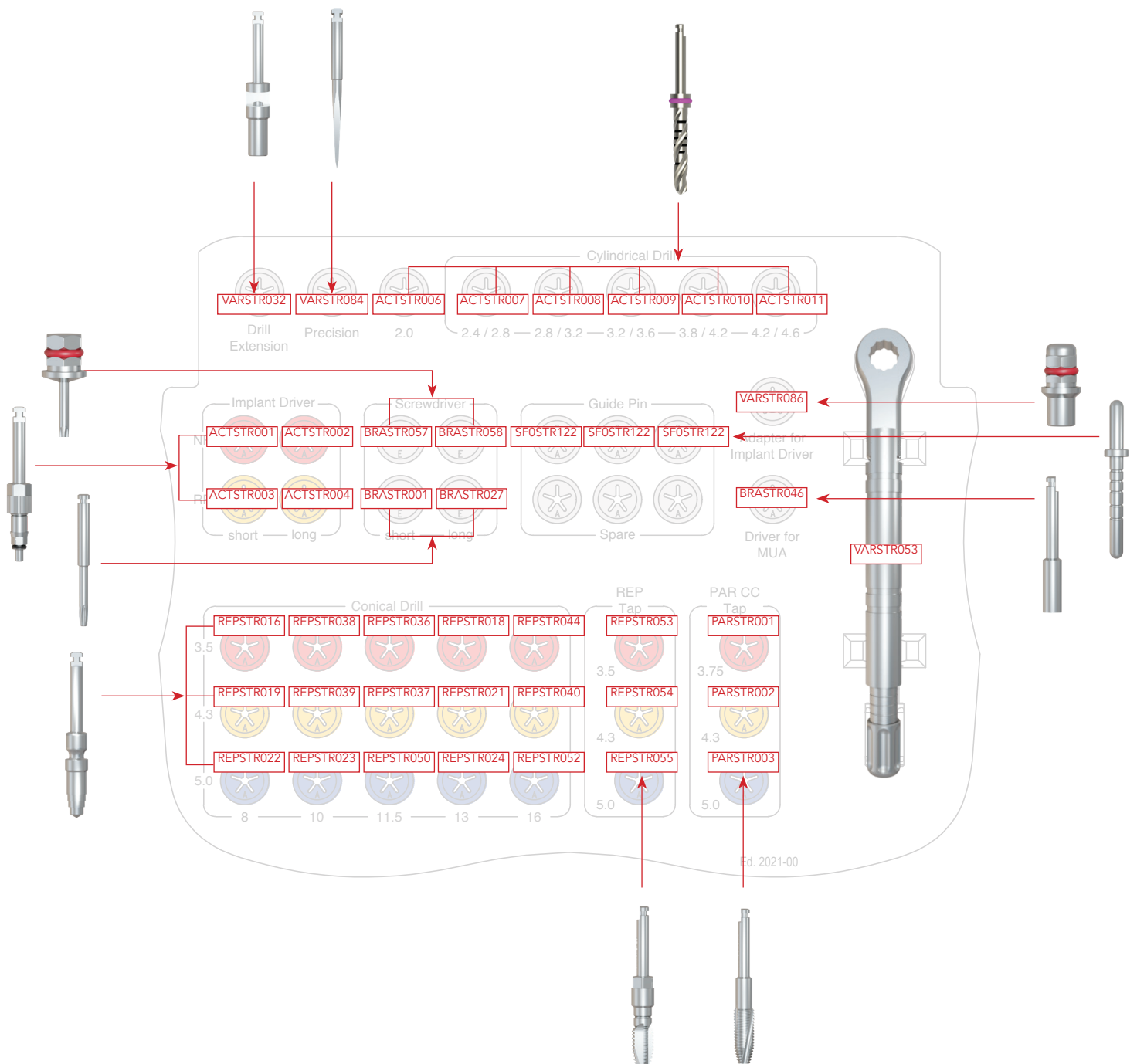
# SURGICAL KIT

CC surgical BOX

ACTSTR017



CC SYSTEM



NOTE: pictures and colors must be considered indicative.



## CONTACTS

TITANMED S.r.l.

Administrative and operational location:  
Via Piedimonte 8/B  
23868 Valmadrera (LC) - Italia

Tel: 0039 0341 363504  
Email: [orders@tecomimplantology.com](mailto:orders@tecomimplantology.com)

## İLETİŞİM

TetraHealths LTD.

Barbaros Mah. Mor Smbl Sok. Deluxia Place Sitesi  
No:5/A-373 PK: 34746  
Ataşehir-İstanbul/Trkiye

Tel: (+90) 216 505 30 20  
Email: [info@tetrahealths.com](mailto:info@tetrahealths.com)



# Titanmed

Leading to perfection

[www.titanmed.it](http://www.titanmed.it)  
[www.tecomimplantology.com](http://www.tecomimplantology.com)

EXCLUSIVE DEALER  
FOR TURKEY

 **TetraHealths**

*Barbaros Mah. Mor Sümbül Sok. Deluxia Place Sitesi No:5/A-373  
PK: 34746 Ataşehir-İstanbul/Türkiye*

*Tel: (+90) 216 505 30 20  
Email: [info@tetrahealths.com](mailto:info@tetrahealths.com)  
[www.tetrahealths.com](http://www.tetrahealths.com)*